

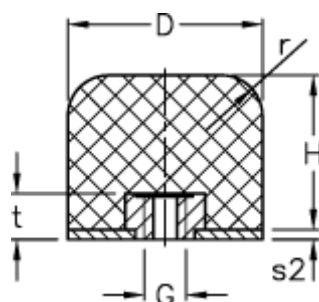
Data Sheet



Article number: 51503163080010

Description: Vibrationsdæmper GP-1I 40x32
M8, NR shore 70

Measures



D	= 40	t = 8
d2	= 2	
G	= M8	
H	= 32	
Load capacity F (kN)	= 15.0	
Load capacity f (mm)	= 18	
Load capacity W (J)	= 70	
r	= 8.0	